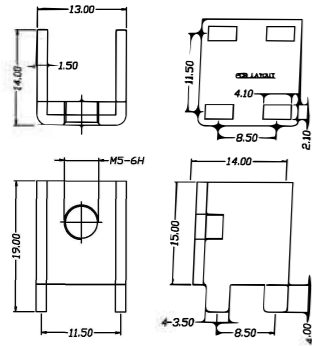


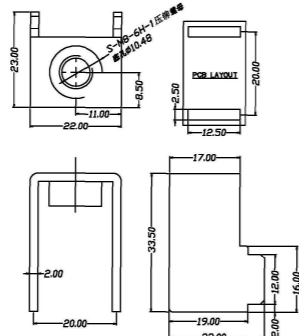
PR5-110A-003



技术参数(Technical Data)

间距(Center Space)	8.5x11.5mm
额定电流(Rated Current)	110A
压线螺钉(Screw)	M5
焊接端子(Terminal Body)	Brass, Tin Plated
螺钉扭矩(Screw Torque)	24 lbf · in

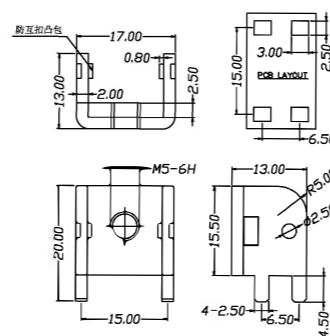
PR5-120A-037



技术参数(Technical Data)

间距(Center Space)	12.0*20.0mm
额定电流(Rated Current)	120A
压线螺钉(Screw)	M8
焊接端子(Terminal Body)	Brass, Tin Plated
螺钉扭矩(Screw Torque)	55 lbf · in

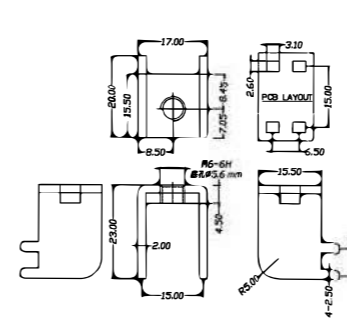
PR5-130A-001



技术参数(Technical Data)

间距(Center Space)	6.5x15.0mm
额定电流(Rated Current)	130A
压线螺钉(Screw)	M5
焊接端子(Terminal Body)	Brass, Tin Plated
螺钉扭矩(Screw Torque)	24 lbf · in

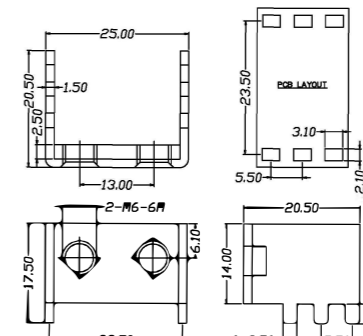
PR5-150A-014



技术参数(Technical Data)

间距(Center Space)	6.5*6.5mm
额定电流(Rated Current)	150A
压线螺钉(Screw)	M6
焊接端子(Terminal Body)	Brass, Tin Plated
螺钉扭矩(Screw Torque)	30 lbf · in

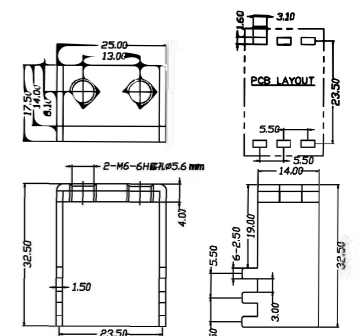
PR5-150A-011



技术参数(Technical Data)

间距(Center Space)	5.5x23.5mm
额定电流(Rated Current)	150A
压线螺钉(Screw)	M6
焊接端子(Terminal Body)	Brass, Tin Plated
螺钉扭矩(Screw Torque)	30 lbf · in

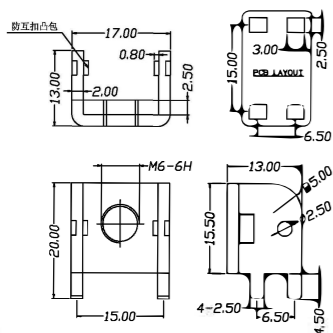
PR5-150A-015



技术参数(Technical Data)

间距(Center Space)	5.5*23.5mm
额定电流(Rated Current)	150A
压线螺钉(Screw)	M6
焊接端子(Terminal Body)	Brass, Tin Plated
螺钉扭矩(Screw Torque)	30 lbf · in

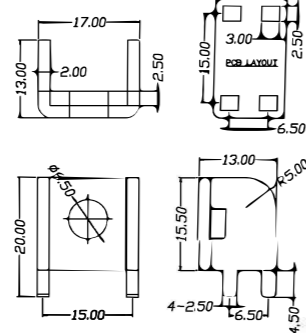
PR5-150A-017



技术参数(Technical Data)

间距(Center Space)	6.5x15.0mm
额定电流(Rated Current)	150A
压线螺钉(Screw)	M6
焊接端子(Terminal Body)	Brass, Tin Plated
螺钉扭矩(Screw Torque)	30 lbf · in

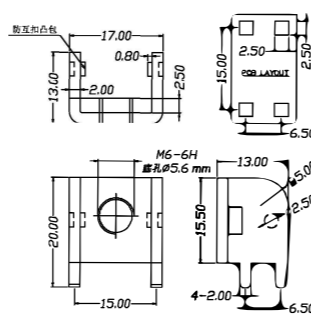
PR5-150A-012



技术参数(Technical Data)

间距(Center Space)	6.5*15.0mm
额定电流(Rated Current)	150A
压线螺钉(Screw)	-
焊接端子(Terminal Body)	Brass, Tin Plated
螺钉扭矩(Screw Torque)	-- lbf · in

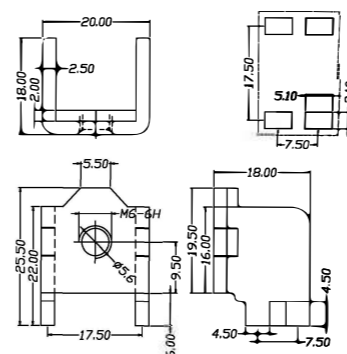
PR5-150A-013



技术参数(Technical Data)

间距(Center Space)	6.5*15.0mm
额定电流(Rated Current)	150A
压线螺钉(Screw)	M6
焊接端子(Terminal Body)	Brass, Tin Plated
螺钉扭矩(Screw Torque)	30 lbf · in

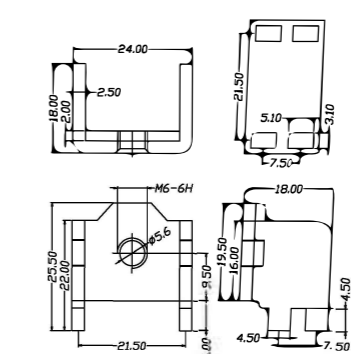
PR5-200A-008



技术参数(Technical Data)

间距(Center Space)	7.5*17.50mm
额定电流(Rated Current)	200A
压线螺钉(Screw)	M6
焊接端子(Terminal Body)	Brass, Tin Plated
螺钉扭矩(Screw Torque)	30 lbf · in

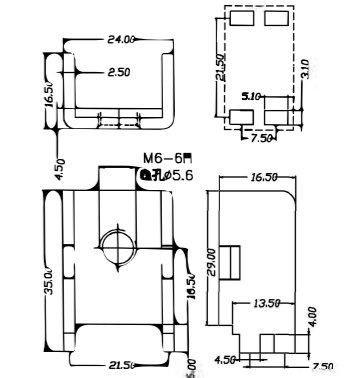
PR5-200A-002



技术参数(Technical Data)

间距(Center Space)	7.5x21.50mm
额定电流(Rated Current)	200A
压线螺钉(Screw)	M6
焊接端子(Terminal Body)	Brass, Tin Plated
螺钉扭矩(Screw Torque)	30 lbf · in

PR5-200A-009



技术参数(Technical Data)

间距(Center Space)	7.5*21.50mm
额定电流(Rated Current)	200A
压线螺钉(Screw)	M6
焊接端子(Terminal Body)	Brass, Tin Plated
螺钉扭矩(Screw Torque)	30 lbf · in

KT 铜制压线端子40A~200A  
KT RIVETED GASKET SIDE PIN

KT 铜制压线端子40A~200A  
KT RIVETED GASKET SIDE PIN