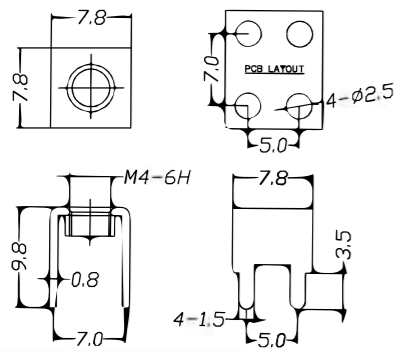


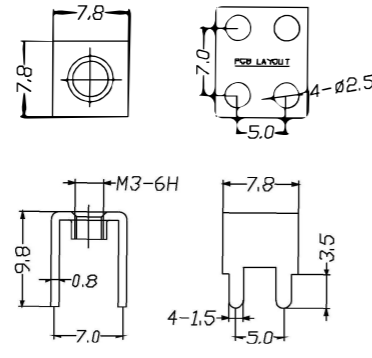
PR5-50A-016



技术参数(Technical Data)

间距(Center Space)	5.0x7.0mm
额定电流(Rated Current)	50A
压线螺钉(Screw)	M4
焊接端子(Terminal Body)	Brass, Tin Plated
螺钉扭矩(Screw Torque)	12 lbf · in

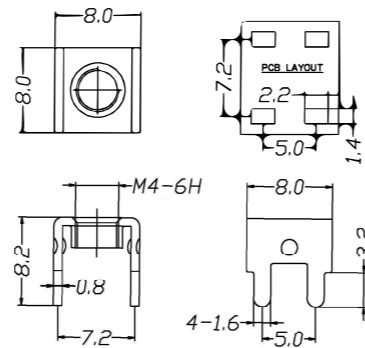
PR5-50A-042



技术参数(Technical Data)

间距(Center Space)	5.0*7.0mm
额定电流(Rated Current)	50A
压线螺钉(Screw)	M4
焊接端子(Terminal Body)	Brass, Tin Plated
螺钉扭矩(Screw Torque)	12 lbf · in

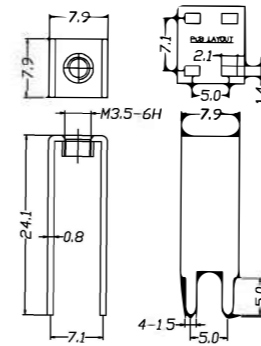
PR5-50A-017



技术参数(Technical Data)

间距(Center Space)	5.0x7.2mm
额定电流(Rated Current)	50A
压线螺钉(Screw)	M4
焊接端子(Terminal Body)	Brass, Tin Plated
螺钉扭矩(Screw Torque)	12 lbf · in

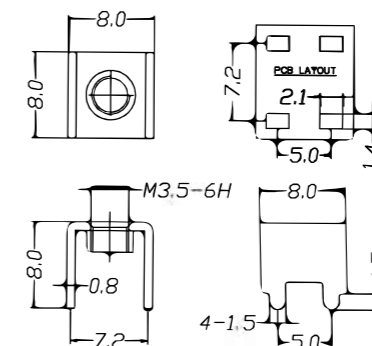
PR5-50A-043



技术参数(Technical Data)

间距(Center Space)	5.0x7.1mm
额定电流(Rated Current)	50A
压线螺钉(Screw)	M3.5
焊接端子(Terminal Body)	Brass, Tin Plated
螺钉扭矩(Screw Torque)	8 lbf · in

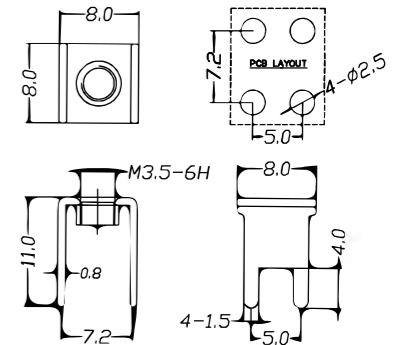
PR5-50A-021



技术参数(Technical Data)

间距(Center Space)	5.0x7.2mm
额定电流(Rated Current)	50A
压线螺钉(Screw)	M3.5
焊接端子(Terminal Body)	Brass, Tin Plated
螺钉扭矩(Screw Torque)	8 lbf · in

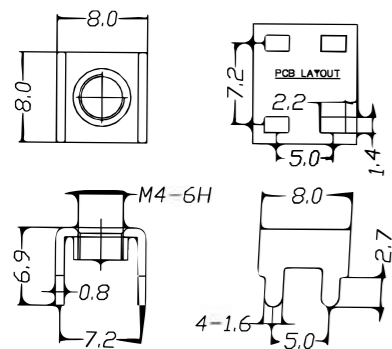
PR5-50A-022



技术参数(Technical Data)

间距(Center Space)	5.0x7.2mm
额定电流(Rated Current)	50A
压线螺钉(Screw)	M3.5
焊接端子(Terminal Body)	Brass, Tin Plated
螺钉扭矩(Screw Torque)	10 lbf · in

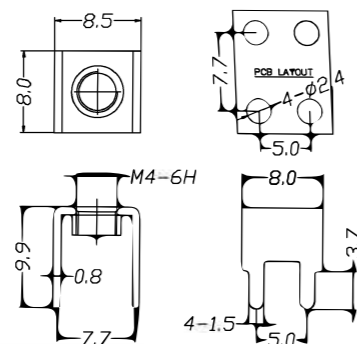
PR5-50A-018



技术参数(Technical Data)

间距(Center Space)	5.0x7.2mm
额定电流(Rated Current)	50A
压线螺钉(Screw)	M4
焊接端子(Terminal Body)	Brass, Tin Plated
螺钉扭矩(Screw Torque)	12 lbf · in

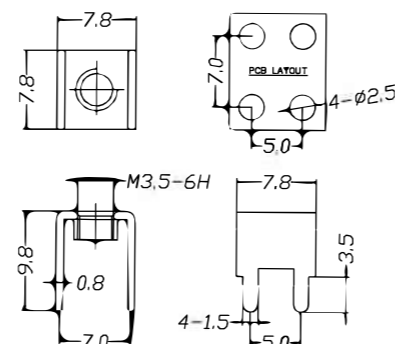
PR5-50A-019



技术参数(Technical Data)

间距(Center Space)	5.0x7.7mm
额定电流(Rated Current)	50A
压线螺钉(Screw)	M4
焊接端子(Terminal Body)	Brass, Tin Plated
螺钉扭矩(Screw Torque)	14 lbf · in

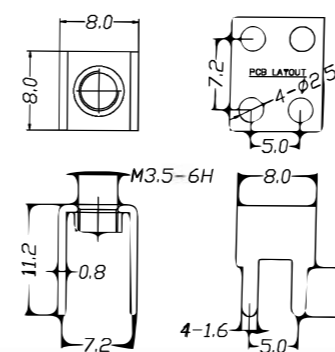
PR5-50A-020



技术参数(Technical Data)

间距(Center Space)	5.0x7.0mm
额定电流(Rated Current)	50A
压线螺钉(Screw)	M3.5
焊接端子(Terminal Body)	Brass, Tin Plated
螺钉扭矩(Screw Torque)	8 lbf · in

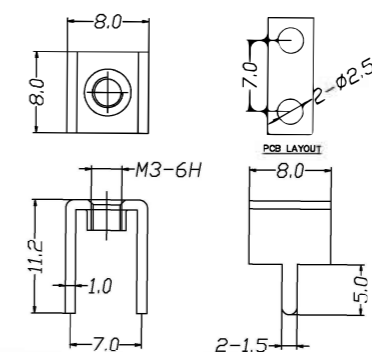
PR5-50A-023



技术参数(Technical Data)

间距(Center Space)	5.0x7.2mm
额定电流(Rated Current)	50A
压线螺钉(Screw)	M3.5
焊接端子(Terminal Body)	Brass, Tin Plated
螺钉扭矩(Screw Torque)	8 lbf · in

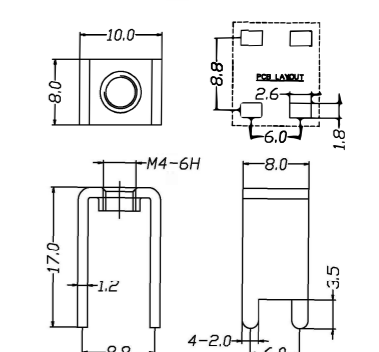
PR5-60A-011



技术参数(Technical Data)

间距(Center Space)	1.5x7.0mm
额定电流(Rated Current)	60A
压线螺钉(Screw)	M3
焊接端子(Terminal Body)	Brass, Tin Plated
螺钉扭矩(Screw Torque)	6 lbf · in

PR5-60A-012



技术参数(Technical Data)

间距(Center Space)	6.0x8.8mm
额定电流(Rated Current)	60A
压线螺钉(Screw)	M4
焊接端子(Terminal Body)	Brass, Tin Plated
螺钉扭矩(Screw Torque)	12 lbf · in