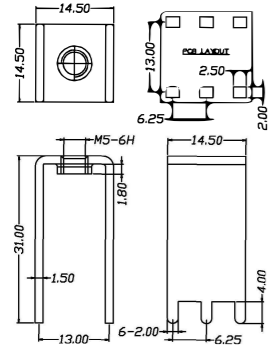


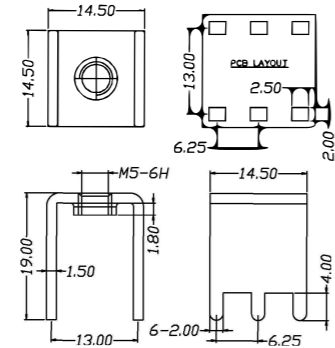
PR5-100A-015



技术参数(Technical Data)

间距(Center Space)	6.25x13.0mm
额定电流(Rated Current)	100A
压线螺钉(Screw)	M5
焊接端子(Terminal Body)	Brass, Tin Plated
螺钉扭矩(Screw Torque)	24 lbf · in

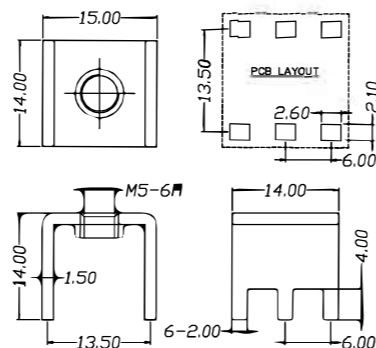
PR5-100A-015



技术参数(Technical Data)

间距(Center Space)	6.25x13.0mm
额定电流(Rated Current)	100A
压线螺钉(Screw)	M5
焊接端子(Terminal Body)	Brass, Tin Plated
螺钉扭矩(Screw Torque)	24 lbf · in

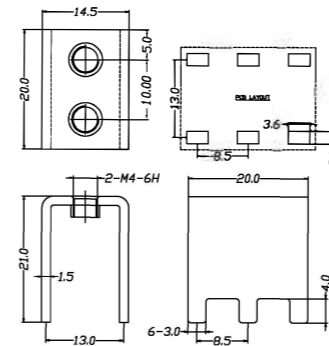
PR5-100A-017



技术参数(Technical Data)

间距(Center Space)	6.0x13.5mm
额定电流(Rated Current)	100A
压线螺钉(Screw)	M5
焊接端子(Terminal Body)	Brass, Tin Plated
螺钉扭矩(Screw Torque)	24 lbf · in

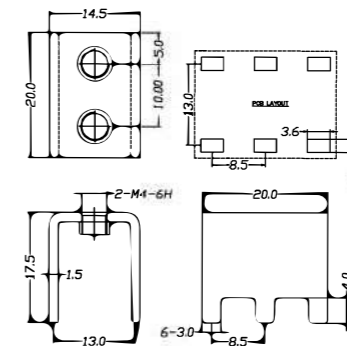
PR5-130A-003



技术参数(Technical Data)

间距(Center Space)	8.5x13.0mm
额定电流(Rated Current)	130A
压线螺钉(Screw)	M4
焊接端子(Terminal Body)	Brass, Tin Plated
螺钉扭矩(Screw Torque)	12 lbf · in

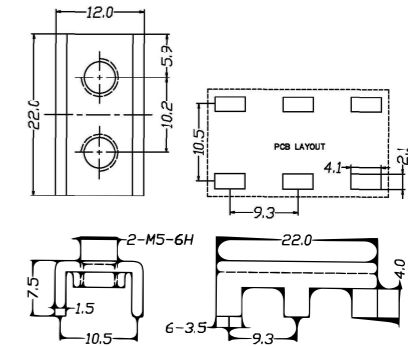
PR5-130A-004



技术参数(Technical Data)

间距(Center Space)	8.5x13.0mm
额定电流(Rated Current)	130A
压线螺钉(Screw)	M4
焊接端子(Terminal Body)	Brass, Tin Plated
螺钉扭矩(Screw Torque)	12 lbf · in

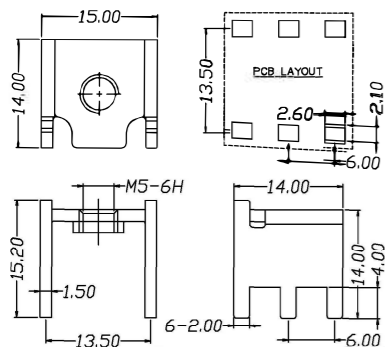
PR5-130A-005



技术参数(Technical Data)

间距(Center Space)	9.3x10.5mm
额定电流(Rated Current)	130A
压线螺钉(Screw)	M5
焊接端子(Terminal Body)	Brass, Tin Plated
螺钉扭矩(Screw Torque)	20 lbf · in

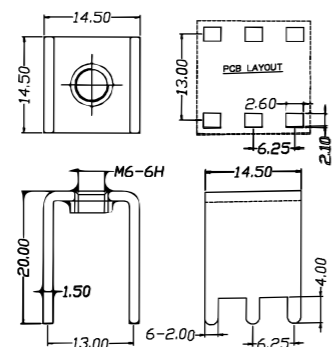
PR5-100A-017



技术参数(Technical Data)

间距(Center Space)	6.0x13.5mm
额定电流(Rated Current)	100A
压线螺钉(Screw)	M5
焊接端子(Terminal Body)	Brass, Tin Plated
螺钉扭矩(Screw Torque)	24 lbf · in

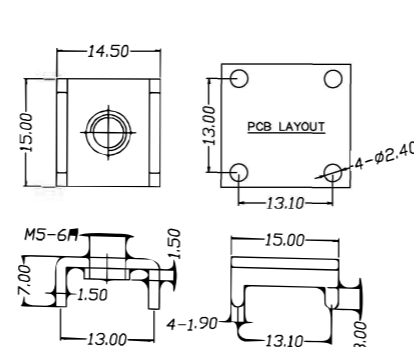
PR5-100A-018



技术参数(Technical Data)

间距(Center Space)	6.25x13.0mm
额定电流(Rated Current)	100A
压线螺钉(Screw)	M6
焊接端子(Terminal Body)	Brass, Tin Plated
螺钉扭矩(Screw Torque)	30 lbf · in

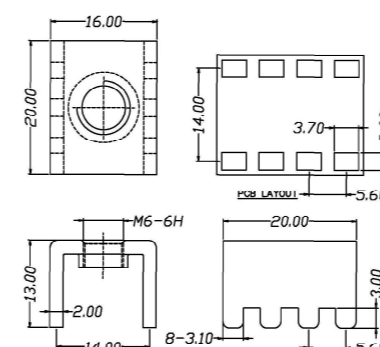
PR5-120A-001



技术参数(Technical Data)

间距(Center Space)	13.1x13.0mm
额定电流(Rated Current)	120A
压线螺钉(Screw)	M5
焊接端子(Terminal Body)	Brass, Tin Plated
螺钉扭矩(Screw Torque)	24 lbf · in

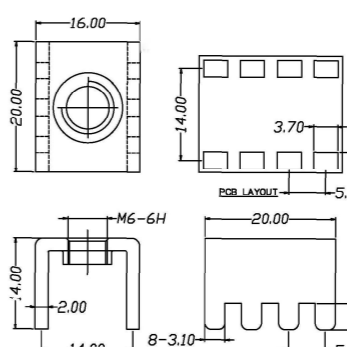
PR5-160A-001



技术参数(Technical Data)

间距(Center Space)	5.6x14.0mm
额定电流(Rated Current)	160A
压线螺钉(Screw)	M6
焊接端子(Terminal Body)	Brass, Tin Plated
螺钉扭矩(Screw Torque)	30 lbf · in

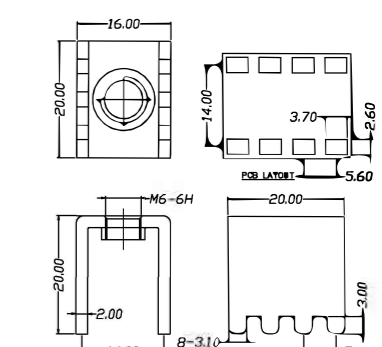
PR5-160A-002



技术参数(Technical Data)

间距(Center Space)	5.6x14.0mm
额定电流(Rated Current)	160A
压线螺钉(Screw)	M6
焊接端子(Terminal Body)	Brass, Tin Plated
螺钉扭矩(Screw Torque)	30 lbf · in

PR5-160A-003



技术参数(Technical Data)

间距(Center Space)	5.6x14.0mm
额定电流(Rated Current)	160A
压线螺钉(Screw)	M6
焊接端子(Terminal Body)	Brass, Tin Plated
螺钉扭矩(Screw Torque)	30 lbf · in