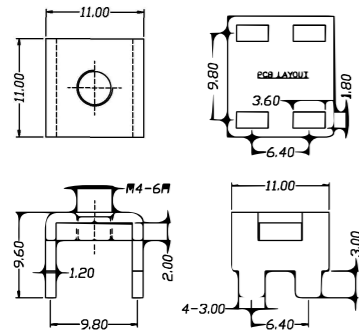


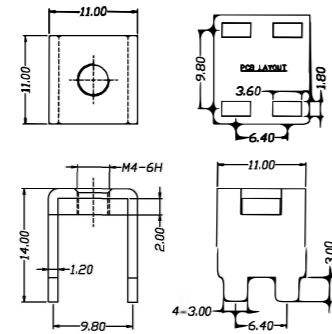
PR5-80A-066



技术参数(Technical Data)

间距(Center Space)	6.4x9.8mm
额定电流(Rated Current)	80A
压线螺钉(Screw)	M4
焊接端子(Terminal Body)	Brass, Tin Plated
螺钉扭矩(Screw Torque)	14 lbf · in

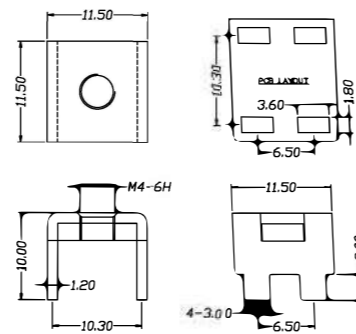
PR5-80A-067



技术参数(Technical Data)

间距(Center Space)	6.4x9.8mm
额定电流(Rated Current)	80A
压线螺钉(Screw)	M4
焊接端子(Terminal Body)	Brass, Tin Plated
螺钉扭矩(Screw Torque)	14 lbf · in

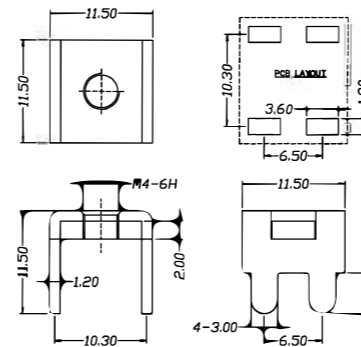
PR5-80A-068



技术参数(Technical Data)

间距(Center Space)	6.5x10.3mm
额定电流(Rated Current)	80A
压线螺钉(Screw)	M4
焊接端子(Terminal Body)	Brass, Tin Plated
螺钉扭矩(Screw Torque)	14 lbf · in

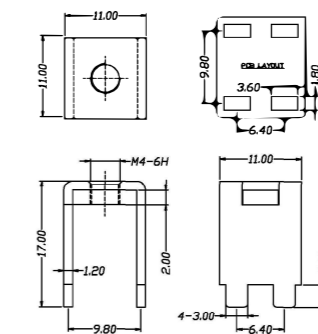
PR5-80A-072



技术参数(Technical Data)

间距(Center Space)	6.5x10.3mm
额定电流(Rated Current)	80A
压线螺钉(Screw)	M4
焊接端子(Terminal Body)	Brass, Tin Plated
螺钉扭矩(Screw Torque)	14 lbf · in

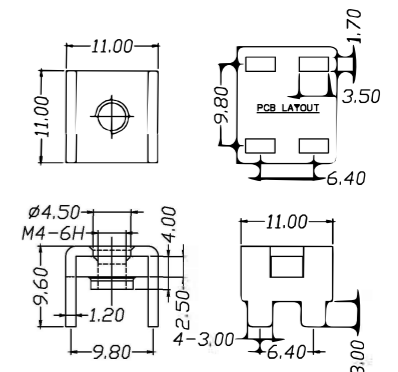
PR5-80A-073



技术参数(Technical Data)

间距(Center Space)	6.4x9.8mm
额定电流(Rated Current)	80A
压线螺钉(Screw)	M4
焊接端子(Terminal Body)	Brass, Tin Plated
螺钉扭矩(Screw Torque)	14 lbf · in

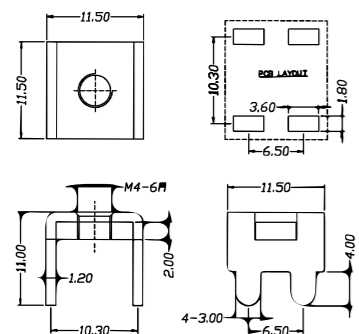
PR5-80A-074



技术参数(Technical Data)

间距(Center Space)	6.4x9.8mm
额定电流(Rated Current)	80A
压线螺钉(Screw)	M4
焊接端子(Terminal Body)	Brass, Tin Plated
螺钉扭矩(Screw Torque)	24 lbf · in

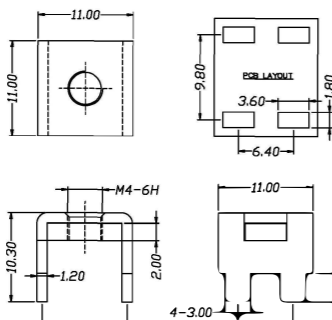
PR5-80A-069



技术参数(Technical Data)

间距(Center Space)	6.5x10.3mm
额定电流(Rated Current)	80A
压线螺钉(Screw)	M4
焊接端子(Terminal Body)	Brass, Tin Plated
螺钉扭矩(Screw Torque)	14 lbf · in

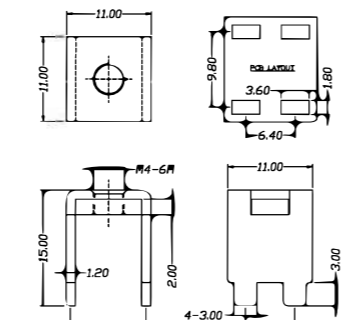
PR5-80A-070



技术参数(Technical Data)

间距(Center Space)	6.4x9.8mm
额定电流(Rated Current)	80A
压线螺钉(Screw)	M4
焊接端子(Terminal Body)	Brass, Tin Plated
螺钉扭矩(Screw Torque)	14 lbf · in

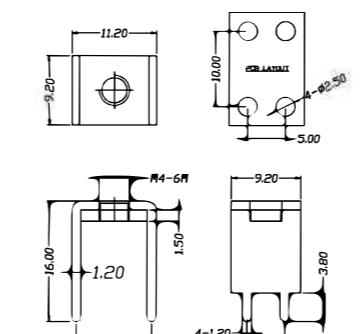
PR5-80A-071



技术参数(Technical Data)

间距(Center Space)	6.4x9.8mm
额定电流(Rated Current)	80A
压线螺钉(Screw)	M4
焊接端子(Terminal Body)	Brass, Tin Plated
螺钉扭矩(Screw Torque)	14 lbf · in

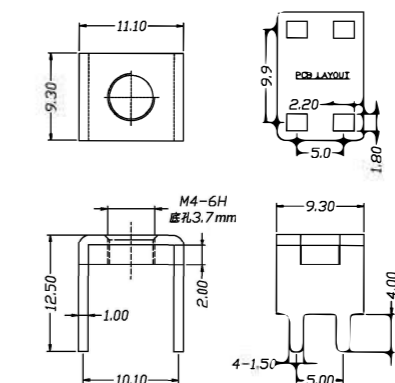
PR5-80A-120



技术参数(Technical Data)

间距(Center Space)	5.0x10.0mm
额定电流(Rated Current)	80A
压线螺钉(Screw)	M4
焊接端子(Terminal Body)	Brass, Tin Plated
螺钉扭矩(Screw Torque)	14 lbf · in

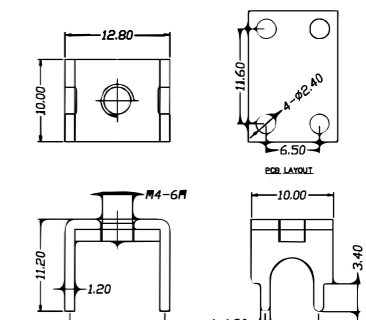
PR5-80A-121



技术参数(Technical Data)

间距(Center Space)	5.0*10.10mm
额定电流(Rated Current)	80A
压线螺钉(Screw)	M4
焊接端子(Terminal Body)	Brass, Tin Plated
螺钉扭矩(Screw Torque)	14 lbf · in

PR5-80A-076



技术参数(Technical Data)

间距(Center Space)	6.5x11.6mm
额定电流(Rated Current)	80A
压线螺钉(Screw)	M4
焊接端子(Terminal Body)	Brass, Tin Plated
螺钉扭矩(Screw Torque)	14 lbf · in

QT 系列 直插式 50A~300A
QT RIVETED GASKET STRAIGHT PIN

QT 系列 直插式 50A~300A
QT RIVETED GASKET STRAIGHT PIN