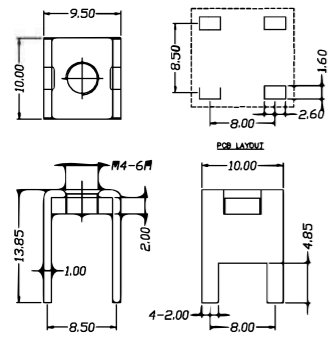


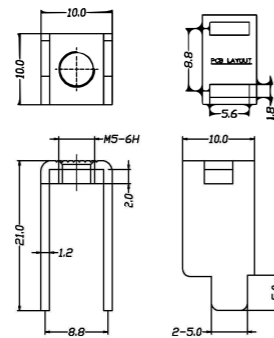
PR5-80A-088



技术参数(Technical Data)

间距(Center Space)	8.0x8.5mm
额定电流(Rated Current)	80A
压线螺钉(Screw)	M4
焊接端子(Terminal Body)	Brass, Tin Plated
螺钉扭矩(Screw Torque)	12 lbf · in

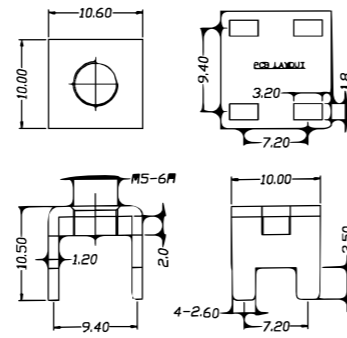
PR5-80A-089



技术参数(Technical Data)

间距(Center Space)	5.0x8.8mm
额定电流(Rated Current)	80A
压线螺钉(Screw)	M5
焊接端子(Terminal Body)	Brass, Tin Plated
螺钉扭矩(Screw Torque)	24 lbf · in

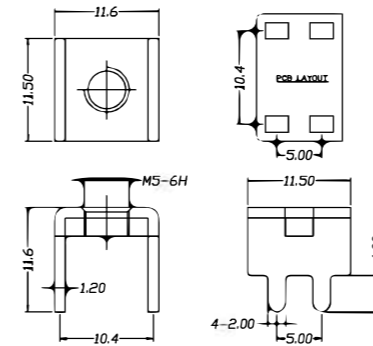
PR5-80A-091



技术参数(Technical Data)

间距(Center Space)	7.2x9.4mm
额定电流(Rated Current)	80A
压线螺钉(Screw)	M5
焊接端子(Terminal Body)	Brass, Tin Plated
螺钉扭矩(Screw Torque)	24 lbf · in

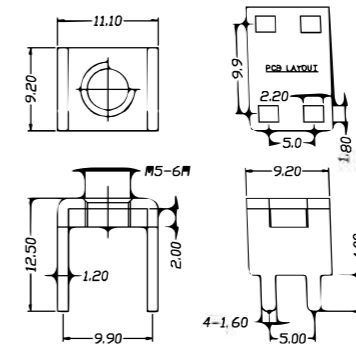
PR5-80A-093



技术参数(Technical Data)

间距(Center Space)	5.0x10.4mm
额定电流(Rated Current)	80A
压线螺钉(Screw)	M5
焊接端子(Terminal Body)	Brass, Tin Plated
螺钉扭矩(Screw Torque)	24 lbf · in

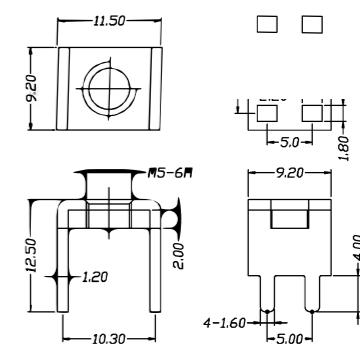
PR5-80A-094



技术参数(Technical Data)

间距(Center Space)	5.0x9.9mm
额定电流(Rated Current)	80A
压线螺钉(Screw)	M5
焊接端子(Terminal Body)	Brass, Tin Plated
螺钉扭矩(Screw Torque)	24 lbf · in

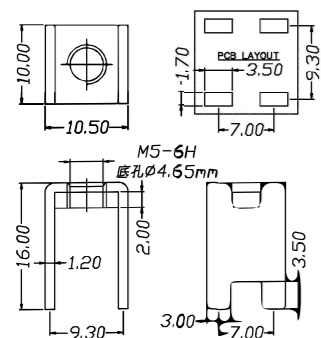
PR5-80A-095



技术参数(Technical Data)

间距(Center Space)	5.0x10.3mm
额定电流(Rated Current)	80A
压线螺钉(Screw)	M5
焊接端子(Terminal Body)	Brass, Tin Plated
螺钉扭矩(Screw Torque)	24 lbf · in

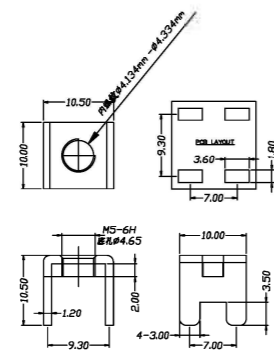
PR5-80A-123



技术参数(Technical Data)

间距(Center Space)	7.0*9.30mm
额定电流(Rated Current)	80A
压线螺钉(Screw)	M5
焊接端子(Terminal Body)	Brass, Tin Plated
螺钉扭矩(Screw Torque)	24 lbf · in

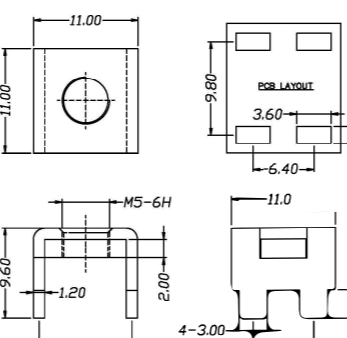
PR5-80A-124



技术参数(Technical Data)

间距(Center Space)	7.0*9.3mm
额定电流(Rated Current)	80A
压线螺钉(Screw)	M5
焊接端子(Terminal Body)	Brass, Tin Plated
螺钉扭矩(Screw Torque)	24 lbf · in

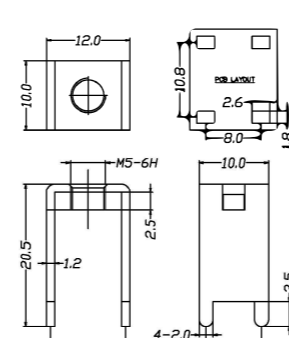
PR5-80A-092



技术参数(Technical Data)

间距(Center Space)	6.4x9.8mm
额定电流(Rated Current)	80A
压线螺钉(Screw)	M5
焊接端子(Terminal Body)	Brass, Tin Plated
螺钉扭矩(Screw Torque)	24 lbf · in

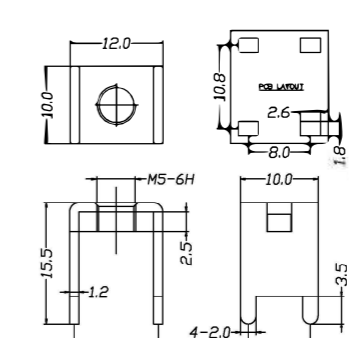
PR5-80A-096



技术参数(Technical Data)

间距(Center Space)	8.0x10.8mm
额定电流(Rated Current)	80A
压线螺钉(Screw)	M5
焊接端子(Terminal Body)	Brass, Tin Plated
螺钉扭矩(Screw Torque)	24 lbf · in

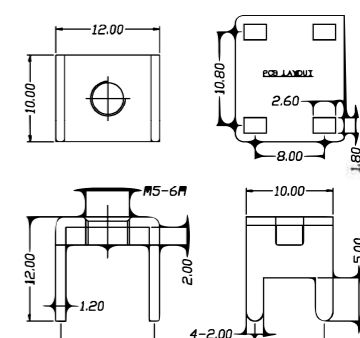
PR5-80A-097



技术参数(Technical Data)

间距(Center Space)	8.0x10.8mm
额定电流(Rated Current)	80A
压线螺钉(Screw)	M5
焊接端子(Terminal Body)	Brass, Tin Plated
螺钉扭矩(Screw Torque)	24 lbf · in

PR5-80A-098



技术参数(Technical Data)

间距(Center Space)	8.0x10.8mm
额定电流(Rated Current)	80A
压线螺钉(Screw)	M5
焊接端子(Terminal Body)	Brass, Tin Plated
螺钉扭矩(Screw Torque)	24 lbf · in

QT 系列直通型 50A~300A
QT RIVETED GASKET STRAIGHT PIN

QT 系列直通型 50A~300A
QT RIVETED GASKET STRAIGHT PIN